

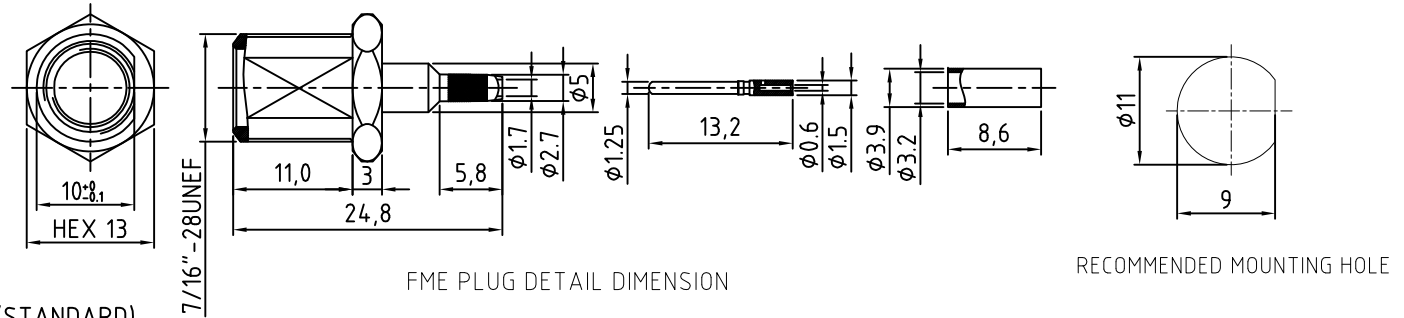
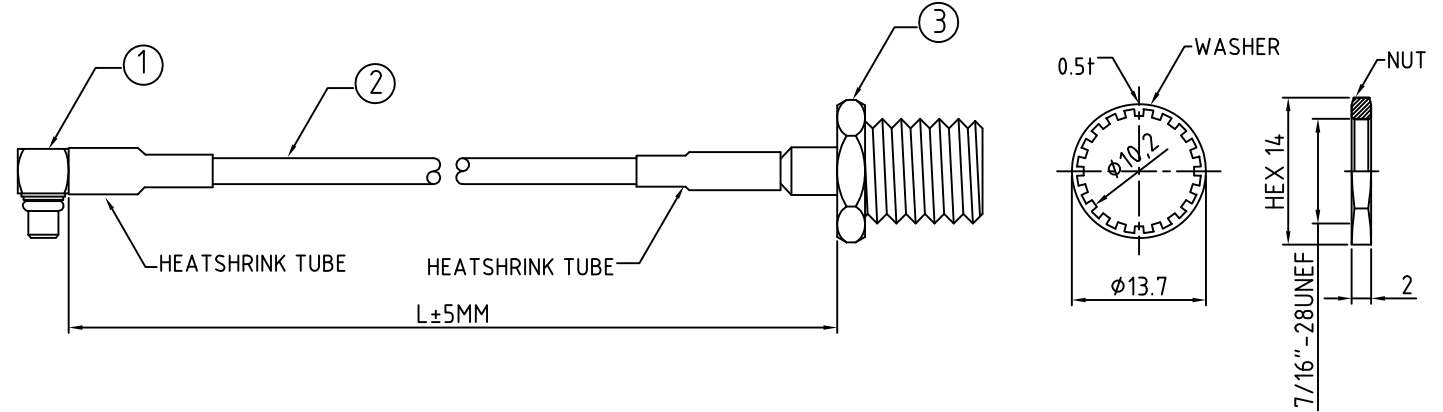
CABLE 038 RF: RF CABLE ASSEMBLY, MMCX R/A PLUG + FME MALE BULKHEAD + RG174 CABLE - 3GHz

SPECIFICATIONS

1. MMCX RIGHT ANGLE PLUG (C05BA3F174001), GOLD \triangle/\triangle
2. RG174 COAXIAL CABLE, BLACK
3. FME ST BULKHEAD PLUG (C29CB3F174001A), NICKEL

NOTES:

1. THE ORIENTATION OF CONNECTORS ON DRAWING IS FOR REFERENCE ONLY, PLEASE CONTACT US IF YOU REQUIRE A SPECIFIC ORIENTATION.
2. ELECTRICAL WORKING FREQUENCY RANGE: DC-3GHz \triangle/\triangle



HOW TO ORDER
 CABLE 038 RF - X X X X - X

"L" LENGTH IN MM
 eg: 100MM = 0100
 (MIN. = 0050,
 STANDARD = 0100, 0150, 0200)

WASHER AND NUT OPTIONS:
 BLANK = SEPERATELY PACKED (STANDARD)
 A = ASSEMBLED WITH CONNECTOR

REV. DATE & DRN	1.0 21/03/08 - NYW RELEASE
11 11/07/08 - NYW	CHANGE MMCX PLUG P/N
12 05/12/08 - NYW	OLD P/N C05BA30174001.
13 31/03/09 - CHC	CHANGE MMCX PLUG P/N
14 08/09/09 - PCY	OLD P/N C05BA30174001.
	ADD WASHER AND NUT OPTIONS.
	ADD WORKING FREQUENCY RANGE.

Scale: NTS	THIRD ANGLE	Unstated Tolerances:	Material
Drawn: NYW		.X ±0.2	SEE NOTE
App'd: XXX	Title: CABLE ASSEMBLY	.XX ±0.1	
Date: 18 AUG '09	Revision: 1.4	.XXX ±0.05	
		ANGLES ±5	
			NOT TO SCALE
			Unit: mm

GRADCONN

www.gradconn.com

THIS DRAWING IS CONFIDENTIAL AND MUST NOT BE COPIED OR DISCLOSED WITHOUT WRITTEN CONSENT

Type: Cable 038 RF
CABLE 038 RF
Drawing Number:
Sheet 1 of 1
Drawing © E and O E